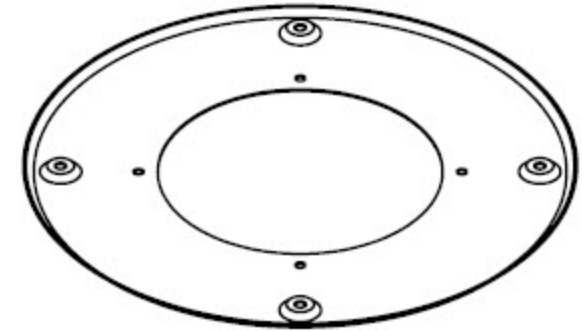
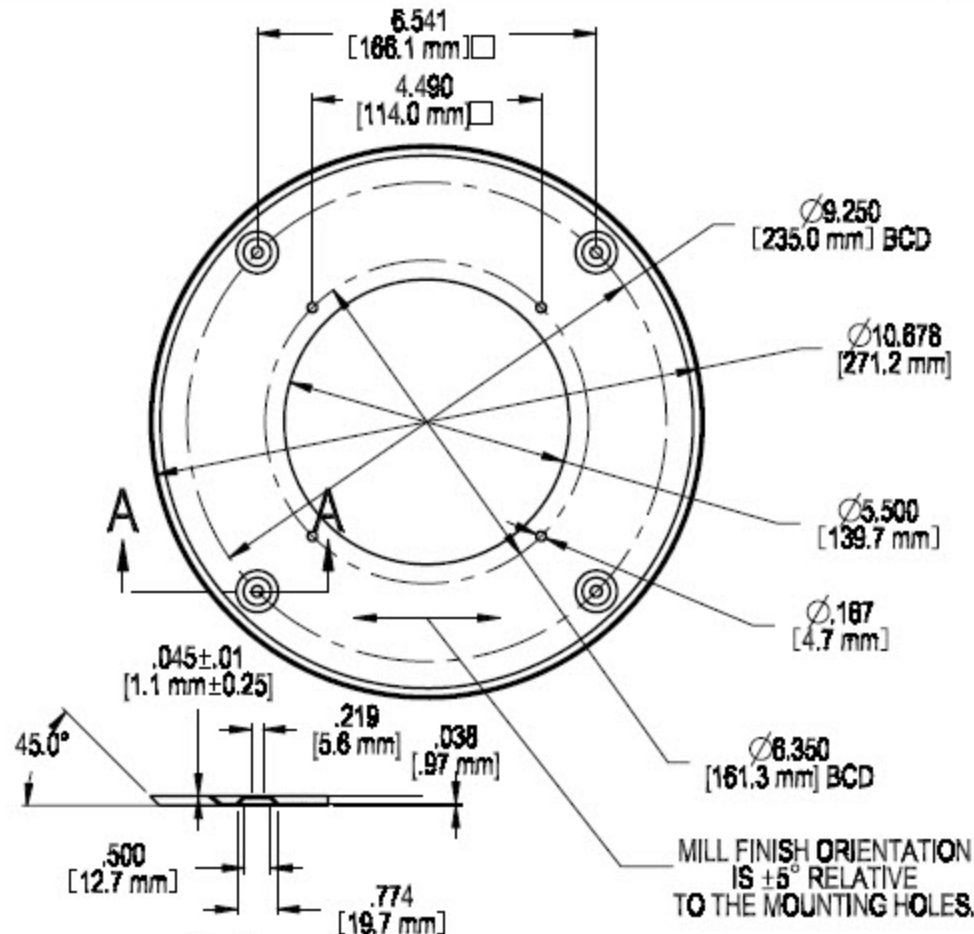
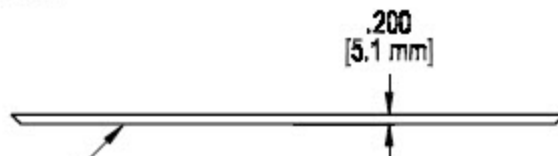


REVISIONS

REV.	DESCRIPTION	DATE	APPROVED
F	EMBOSSMENT WAS .015". ADD FLATNESS SPECIFICATION. HEIGHT WAS .187	09-24-08	TM



SECTION A-A



$\square$  .055 ± .030 [1.4mm ± 0.8]

NO SHARP EDGE  
NO SHARP CORNER

DIMENSIONS ARE IN INCHES AND [MILLIMETERS]

	UNSPECIFIED TOLERANCE		TITLE			
	X ± 1.00mm .X ± .030 .25mm .XX ± .010 .10mm .XXX ± .006 FRACTION ± 1/64 ANGLE ± 2° HOLES ± .002		10.7" GRILL RING PART NO. 6RSSB			
MATERIAL	SIZE	FSCM NO.	EIA NO.	DATE	DWG NO.	REV.
304 STAINLESS 20 GA (.038)	A	14208	114	03-28-08	SH-3475	F
FINISH	SCALE	CHECKED BY	APPROVED BY	DRAWN BY	SHEET	
MILL FINISH #4	NONE	TM	DD	MP	1 OF 1	