

This 8" woofer provides bass you can feel. It is an excellent choice for two-way audio systems or ones requiring more than one driver. It features an engineered black carbon filled polypropylene cone with a half-roll black molded natural rubber surround. A carefully designed flat spider assures linear voice coil travel in both directions. The dust cap is a light weight treated cloth which allows for extended frequency response to allow for higher cross-over frequencies if desired. A decorative rubber trim ring around the frame provides sealing when mounted in the enclosure. It may also be removed to match the final product cosmetics.

- Woofer
- 8 in. (203 mm) basket diameter
- 75 watts, 4 ohms, 92 dB SPL
- 1.5 in. copper voice coil, Kapton former
- Ferrite magnet, stamped-steel frame
- Polypropylene cone, NBR rubber surround

MISCO engineers test and analyze the performance of these speakers using the world's most sophisticated loudspeaker measurement systems including the Klippel Analyzer and the Klippel QC, which are used to validate final design. Oaktron by MISCO is the premium line of high performance, ready-to-ship transducers for a wide variety of applications including high fidelity, musical instrument, automotive and many more. From elegantly simple to highly specialized designs for unique and demanding applications, there is an Oaktron loudspeaker perfectly suited for your needs.

Pair this woofer with one of our [MISCO Amplifiers](#).



#### Primary Specifications

<b>Size, Nominal (inch &amp; mm)</b>	8" (203 mm)
<b>Rated Impedance (<math>\Omega</math>)</b>	4
<b>Continuous Power (W)</b>	75
<b>Sensitivity (dB SPL) <sup>1</sup></b>	92
<b>Frequency Range (Hz)</b>	35 - 4,000
<b>Resonant Frequency (Fs) (Hz) +/- 15%</b>	35

### More Specifications

<b>Application</b>	High-End Audio and Home Theater, Home Audio
<b>RoHS Compliant</b>	Yes
<b>DC Resistance (Re) (<math>\Omega</math>)</b>	4.0
<b>Program Power (W)</b>	150
<b>Continuous Power (W)</b>	75

### Small Signal Parameters

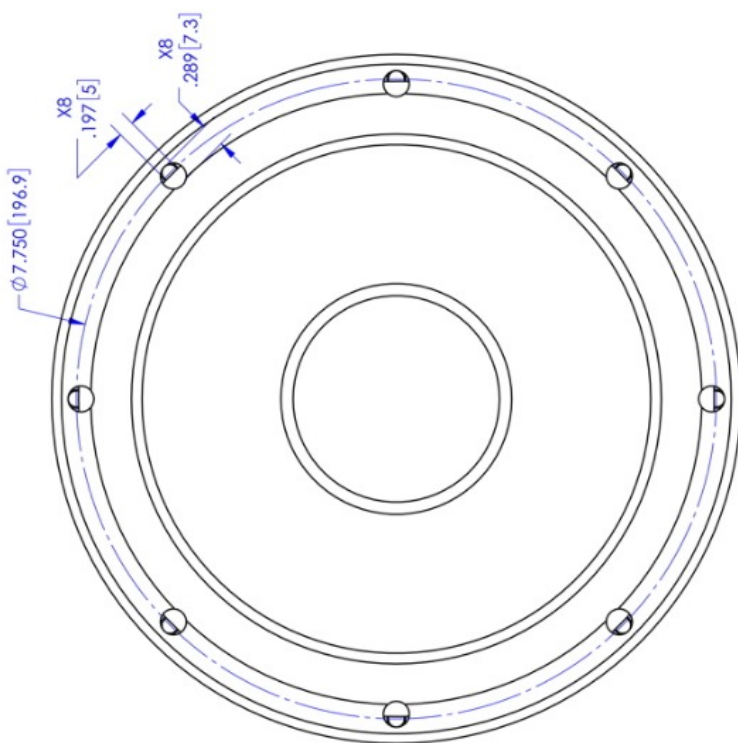
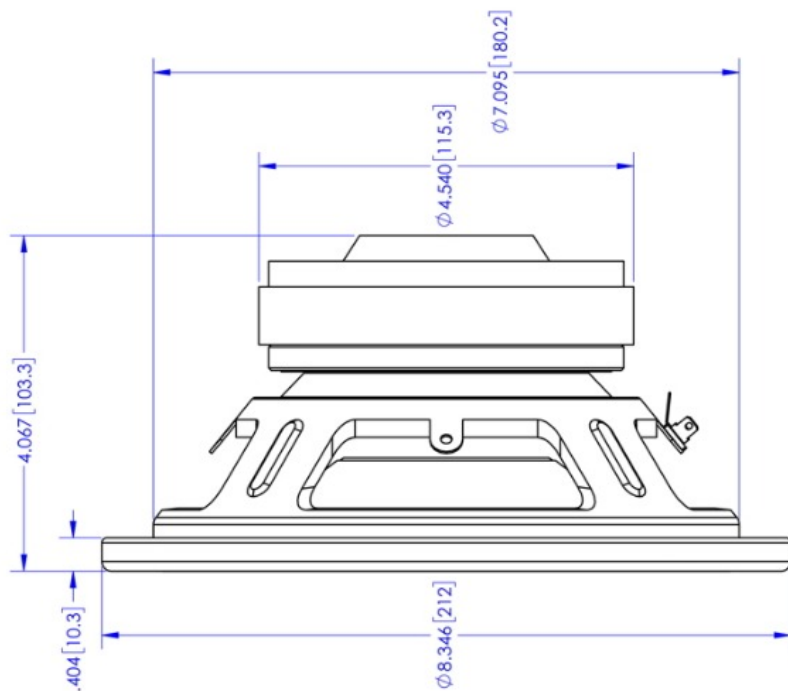
<b>Nominal Impedance (Z) (<math>\Omega</math>)</b>	4
<b>DC Resistance (Re) (<math>\Omega</math>)</b>	4.0
<b>Voice Coil Inductance (Le) (mH)</b>	0.57
<b>Resonant Frequency (Fs) (Hz) +/- 15%</b>	35
<b>Mechanical Q Factor (Qms)</b>	5.87
<b>Electrical Q Factor (Qes)</b>	0.26
<b>Total Q Factor (Qts)</b>	0.25
<b>Moving Mass (Mms) (gm)</b>	25.7
<b>Suspension Compliance (Cms) (mm/N)</b>	0.79
<b>Mechanical Resistance (Rms) (kg/s)</b>	0.97
<b>Surface Area of Diaphragm (Sd) (cm<sup>2</sup>)</b>	232.4
<b>Compliance Equivalent Volume (Vas) (L)</b>	60.56
<b>Maximum Linear Excursion (Xmax) (mm)</b>	5.4
<b>Coil Winding Height (mm)</b>	18.8
<b>Magnetic Gap Height (mm)</b>	7.9
<b>Motor Force Factor (BL) (T•M)</b>	9.3
<b>Efficiency (<math>\eta_0</math>) (%)</b>	0.98
<b>Efficiency Bandwidth Product (EBP) (Fs/Qes)</b>	134.7

### Material Descriptions

<b>Basket Type</b>	Heavy duty stamped steel basket, powder coat black finish
<b>Terminal Size (mm)</b>	5.2 x 0.5 mm
<b>Voice Coil Diameter (mm)</b>	38.7
<b>Voice Coil Wire Material</b>	Copper
<b>Voice Coil Former Material</b>	Polyimide film
<b>Magnet Material</b>	Ferrite
<b>Magnet Weight (g)</b>	795
<b>Cone Body Material</b>	Carbon filled polypropylene

<b>Cone Surround Material</b>	NBR rubber
<b>Spider Material</b>	Flat formed cloth
<b>Dust Cap Material</b>	Treated cloth
<b>Net Weight (kg)</b>	2.7





MODEL: 203-WF04-03 P/N: 93044

OAKTRON  
by **MISCO**