

The RDC3WI Waterproof Voice Range Speaker is the perfect solution for uncompromised communication in any setting. Crafted with clarity in mind, this 3-inch square speaker is versatile enough to be used indoors and outdoors, making it ideal for systems such as intercoms or drive-thrus. Its four-hole mounting design makes installation effortless and quick, while the durable acrylic-treated cloth cone ensures longevity, making it a reliable choice for any weather conditions. The speaker is a testament to MISCO's commitment to providing clear and durable sound solutions, making it an excellent replacement or a new installation choice.

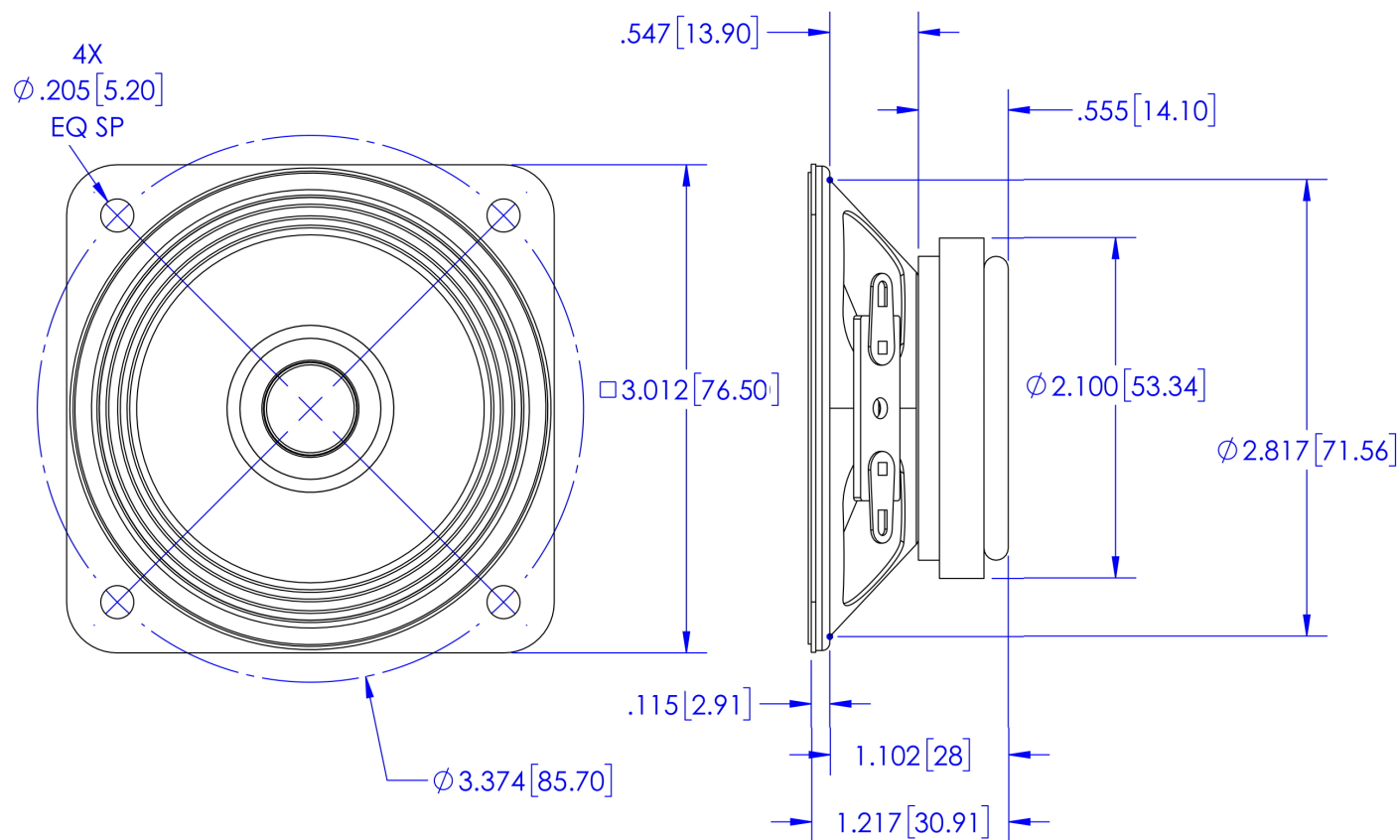
- Versatile design for both indoor and outdoor use
- Effortless installation with four-hole mounting design
- Durable acrylic-treated cloth cone for longevity
- Clear and reliable sound solution
- Ideal for intercoms or drive-thrus

MISCO engineers use the world's most sophisticated loudspeaker measurement systems, including the Klippel Analyzer, to maximize and confirm the speaker's design and the Klippel QC module to ensure perfect unit-to-unit consistency and reliability.



#### Primary Specifications

<b>Size, Nominal (inch &amp; mm)</b>	3" (77 mm)
<b>Rated Impedance (<math>\Omega</math>)</b>	8
<b>Sensitivity (dB SPL) <sup>1</sup></b>	87
<b>Frequency Range (Hz)</b>	300 - 7,000
<b>Resonant Frequency (Fs) (Hz) +/- 15%</b>	357



### More Specifications

<b>Application</b>	Indoor, Military, Outdoor , Transit, Voice Communications
<b>RoHS Compliant</b>	Yes
<b>Program Power (W)</b>	8

### Small Signal Parameters

<b>Nominal Impedance (Z) (<math>\Omega</math>)</b>	8
<b>Voice Coil Inductance (Le) (mH)</b>	0.6
<b>Resonant Frequency (Fs) (Hz) +/- 15%</b>	357
<b>Mechanical Q Factor (Qms)</b>	11.3
<b>Electrical Q Factor (Qes)</b>	2.62
<b>Total Q Factor (Qts)</b>	2.13

### Material Descriptions

<b>Basket Type</b>	Stamped steel
<b>Terminal Size (mm)</b>	4.8 x 0.5
<b>Voice Coil Diameter (mm)</b>	17.8
<b>Voice Coil Wire Material</b>	Copper
<b>Voice Coil Former Material</b>	Kapton, Polyimide film
<b>Magnet Material</b>	Ferrite
<b>Magnet Weight (g)</b>	68
<b>Cone Body Material</b>	Acrylic treated textile
<b>Cone Surround Material</b>	Acrylic treated textile
<b>Spider Material</b>	Phenolic treated textile
<b>Dust Cap Material</b>	Treated felt

