

THIS IS A "BUILT TO ORDER" PRODUCT

**REQUEST A QUOTE**

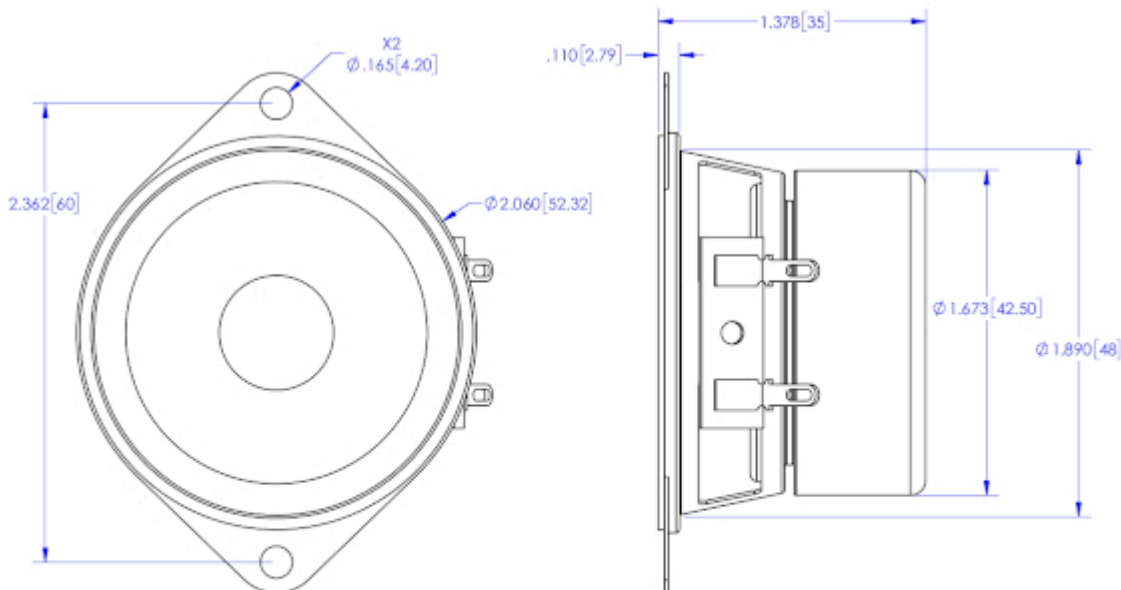
This is a universal fit 2" (50 mm) shielded speaker. Designed for voice and wide range audio, this speaker has an amazingly flat response! It is ideal for small enclosures or line arrays. Its HE-shielded ferrite magnet helps deliver clear, clean voice audio. It features a two-hole mount design for ease of front or rear flush mounting.

- Wide range speaker
- 2" (50 mm) basket diameter
- 3 watts, 8 ohms, 84 dB SPL
- 1" copper voice coil, paper former
- Shielded ferrite magnet, stamped steel basket
- Paper cone, cloth surround



### Primary Specifications

<b>Size, Nominal (inch &amp; mm)</b>	2" (50 mm)
<b>Rated Impedance (<math>\Omega</math>)</b>	8
<b>Sensitivity (dB SPL) <sup>1</sup></b>	84
<b>Frequency Range (Hz)</b>	200 - 20,000
<b>Resonant Frequency (Fs) (Hz) +/- 15%</b>	200



**OAKTRON**  
by MISCO

**P/N: 50FF08-SH**

### More Specifications

<b>Application</b>	Casino Gaming, Indoor, Medical, Voice Communications
<b>RoHS Compliant</b>	Yes
<b>DC Resistance (Re) (<math>\Omega</math>)</b>	7.3
<b>Program Power (W)</b>	6

### Small Signal Parameters

<b>Nominal Impedance (Z) (<math>\Omega</math>)</b>	8
<b>DC Resistance (Re) (<math>\Omega</math>)</b>	7.3
<b>Voice Coil Inductance (Le) (mH)</b>	0
<b>Resonant Frequency (Fs) (Hz) +/- 15%</b>	200
<b>Mechanical Q Factor (Qms)</b>	3.2
<b>Electrical Q Factor (Qes)</b>	3.9
<b>Total Q Factor (Qts)</b>	1.60

### Material Descriptions

<b>Basket Type</b>	Stamped steel with zinc plating
<b>Terminal Size (mm)</b>	2.8 X 0.5
<b>Voice Coil Diameter (mm)</b>	15.2
<b>Voice Coil Wire Material</b>	Copper
<b>Voice Coil Former Material</b>	Engineered paper
<b>Magnet Material</b>	Shielded ferrite
<b>Magnet Weight (g)</b>	20
<b>Cone Body Material</b>	Engineered paper
<b>Cone Surround Material</b>	Pre-treated black cloth
<b>Spider Material</b>	Cotton
<b>Dust Cap Material</b>	Engineered paper
<b>Net Weight (kg)</b>	0.10

